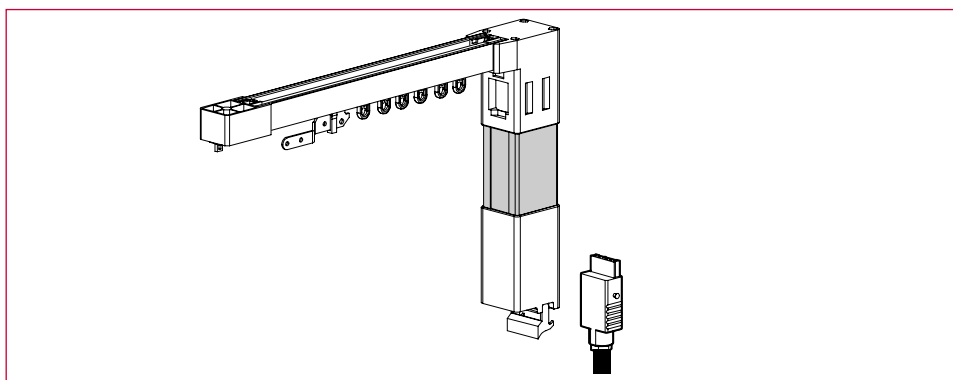
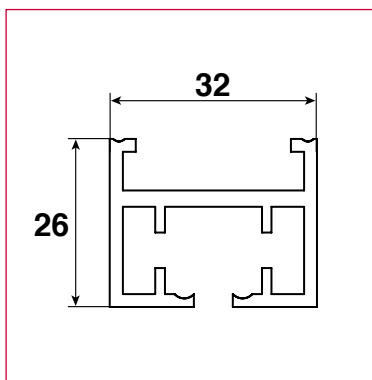


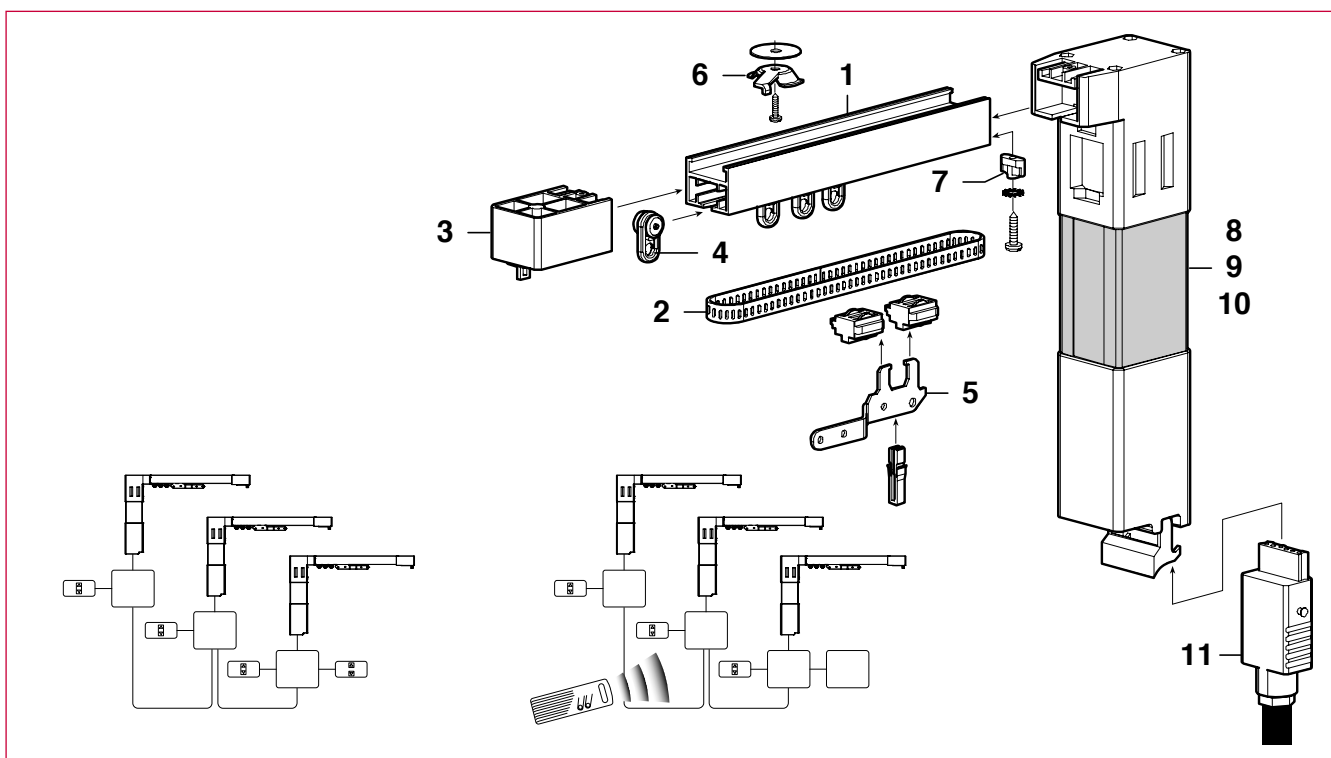
RAIL - ELECTRIC CURTAIN TRACK - INTEGRATED MOTORIZATION
RELIABILITY OF HOLED BELT - MEKA : MANUALLY OPERATED



DESCRIPTION

Aluminum curtain track rail - section 32/30 mm with protected passage of belt, length 7 meters. Length up to 20 meters by section connection full bending curve and minimum radius of curves at 90 / 35 cm - 3 types of motorization : 30W 45W - 45 Watts tandem Integrated and interchangeable motors

- Opening : central - lateral - asymmetrical
- Mounting : ceiling using turning key or by offset brackets of 5 to 20 cm



Mark **Designation**

- 1 Coated white aluminum rail or alu section 32/30
- 2 Toothed belt - high resistance
- 3 Gear and end lock pulley
- 4 Roller for heavy load
- 5 Overlap arm

Mark **Designation**

- 6 Turning key
- 7 End lacks
- 8 ENERGY 30 watt motor
- 9 STRONG 45 watt motor
- 10 SUPER STRONG tandem 45 watt motor
- 11 Male plug connector