

DESCRIPTION

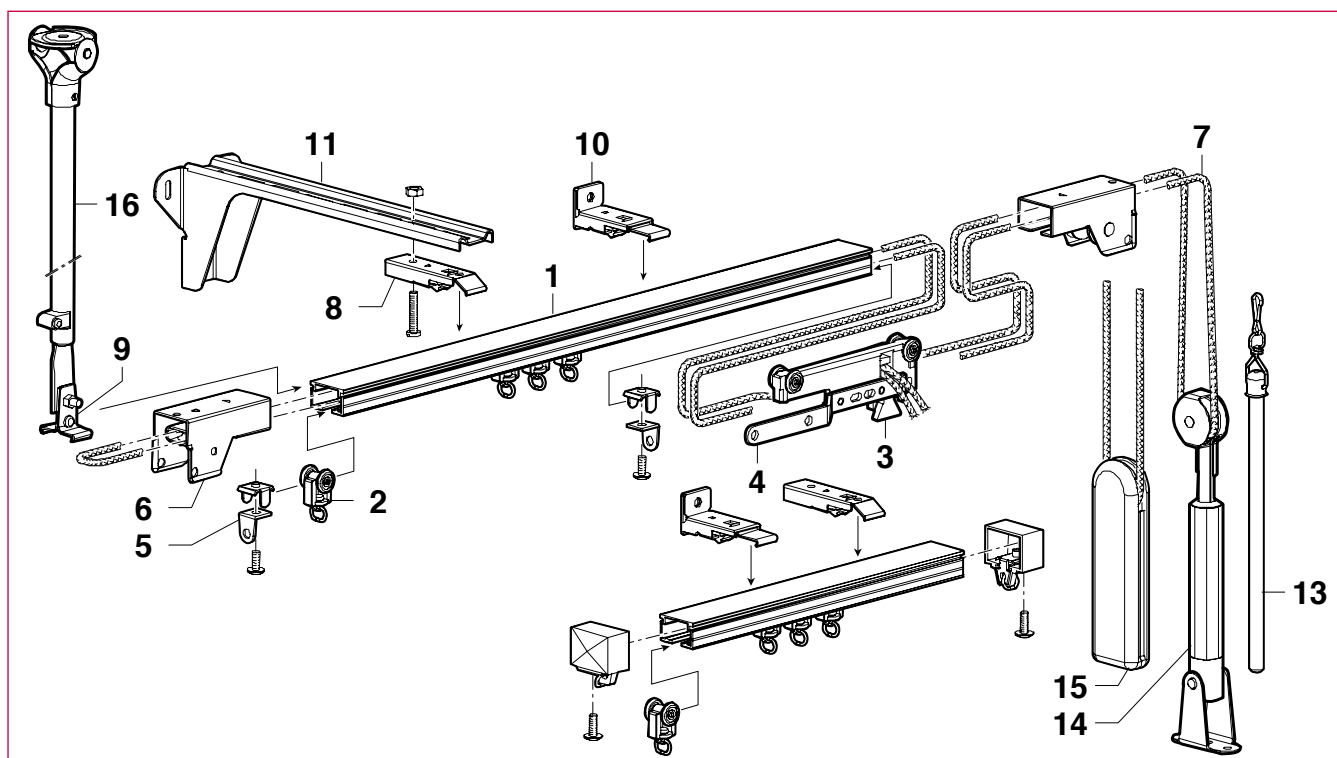
Aluminium rail - TEKNIK section 22,5/15,8 mm - 6 meters length - 15 Kg/m

SYSTEM section 32.2/21 mm - 6 meters length - 30 Kg/m

Continuous lateral connection by connecting bridges and coupling.

Rollers with steel axles and swiveling rings.

- Operation and assembly : by pre-stretched cord or plexiglas draw rods
- Opening : central - lateral - multiple
- Mounting : ceiling : direct by telescopic hangers - wall: wall supports or offset by brackets of 5 to 30cm



Mark	Designation	Mark	Designation
1	White aluminum TEKNIK rail 23/16	9	Support for extensible hanger
2	Rollers with steel axles and swiveling rings	10	Simple angle wall support
3	Pulling conductor and 2 curtain plates	11	Wall support offset on wall brackets 8, 10, 15, 20, 25
4	Magnetic manual conductor 2 curtains	12	Section connection plus connecting bridges
5	End-lack and tip	13	Transparent plexiglas draw rod 150 cm
6	Pair of white pulleys	14	Tighten pulley
7	Pre-stretched cord	15	Counterweight
8	Simple ceiling support	16	Extensible hangers : 25 to 160 cm high