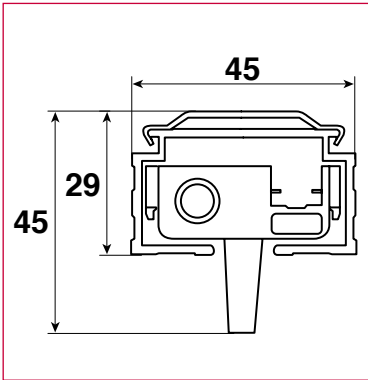
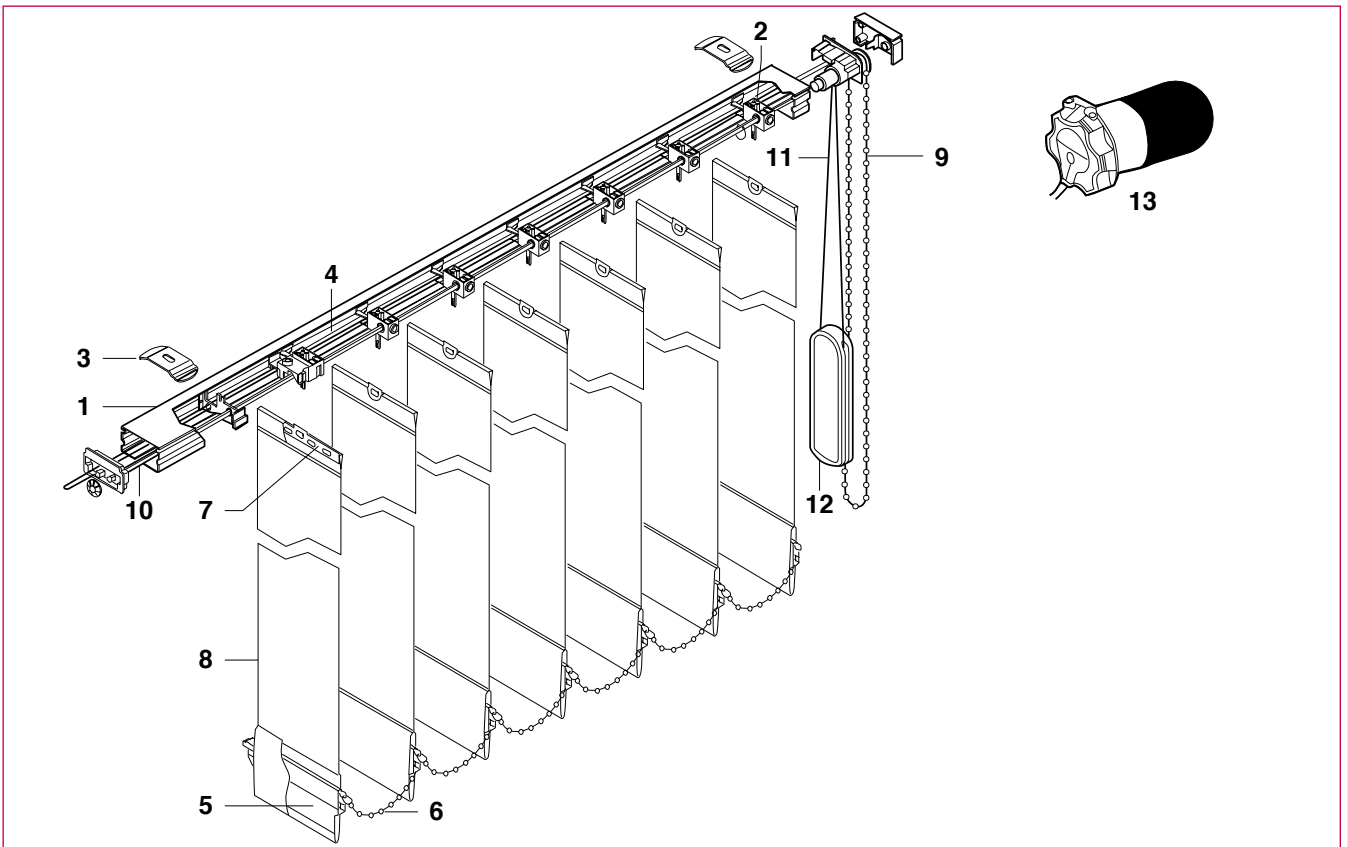
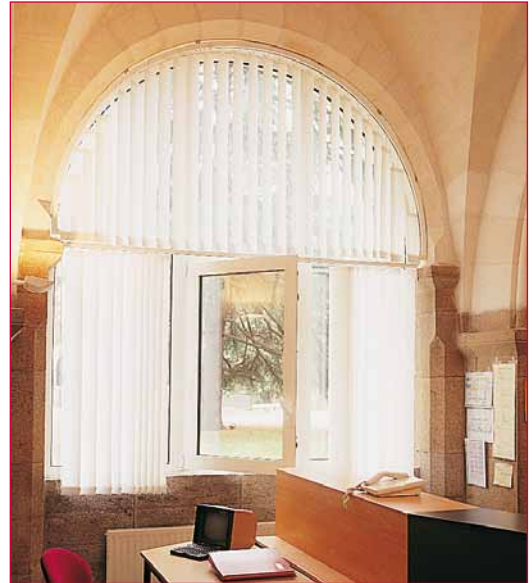


VERTICAL BLINDS



- DESCRIPTION** Aluminium rail  
Slat width 89 or 127 mm
- Can be operated manually or electrically
  - Bendable or archivolt
- Fabrics collection presented on request



Mark	Designation	Mark	Designation
1	Aluminum profile	8	Textile blades 89 or 127 mm
2	Wheel	9	Swiveling chain
3	Installation support	10	3-path control pin
4	Spacer	11	Command card
5	Weight plaque	12	Cord counterweight
6	Blade chain	13	Electric motorization
7	Upper blade support		

**Complete collections presented on request**

Grenoble

blanc 1802

vanille 1804

or 1809

Ibiza

blanc 2001

crème 2002

bleu 2013