

**ROMAN BLIND : DRAPED BLIND WITH STIFF AND CLASSIC PLEATS**



**DESCRIPTION**

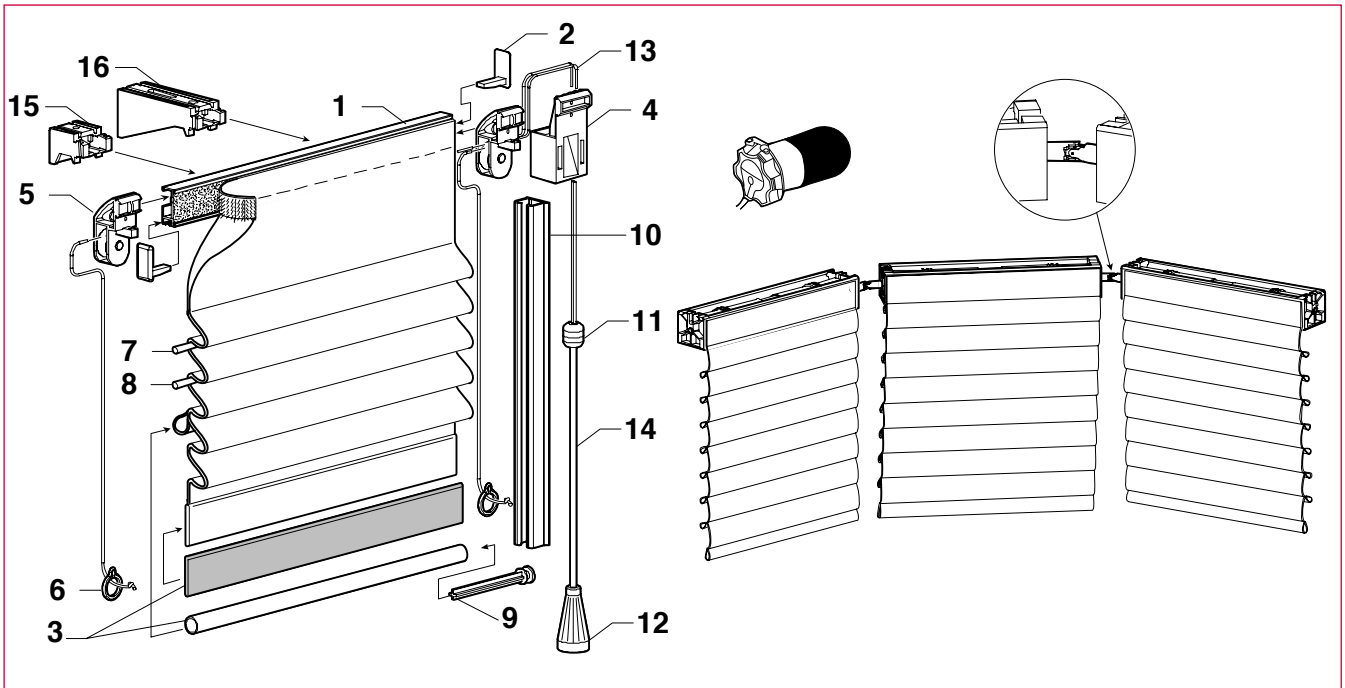
**STORAMI AMISTAR US**

Aluminum profile insert with Velcro  
Mini-tracks, fiberglass or aluminum tube  
Load-bearing bar  
Produced with flat or recessed pleats  
Optional decorative braid, inlays, etc.  
Mechanism : "AMISTAR TRADITION"  
■ Can be operated manually or electrically  
■ Can be bent and guided

**DESCRIPTION**

**AMISTAR FESTOON AND AMISTAR SCALLOPED BLINDS**

Mechanisms, Same mechanism as AMISTAR US  
Amistar festoon : fullness in lower part  
Amistar scalloped blinds : fullness of folds full-height doubled  
Mechanism : 1 - AMISTAR ELEGANZ  
2 - AMISTAR ELEKTRO  
■ Can be operated manually or electrically



**Mark Designation**

- 1 White aluminium profile section 25/10
- 2 Decorative profile end-piece
- 3 Load-bearing bar : - flat white aluminium  
- tubular diameter 13 mm
- 4 Distributor cord
- 5 Pulley
- 6 Cord pass rings
- 7 Fiberglass 3 mm rod
- 8 8 or 13mm rod
- 9 Telescopic end-piece
- 10 White COATED aluminium guiding profile
- 11 Cord / small cord connection
- 12 Decorative cord tassel
- 13 Small cord
- 14 Operating cord 3 mm
- 15 Short universal support
- 16 Long universal support 70 mm

**"ELEKTRO AMISTAR" mechanism**

Electrical operation  
White coated head rail 51/57  
Ceiling or wall mounting  
Mounting end-piece kit  
Motorization Ref. 220 volts 80 watts  
Possibility : grouped and remote controlled contrais

**"AMISTAR ELEGANZ" one-piece mechanism**

White aluminium profile  
Fitted with hexagonal pin operation, cordon cones, operation end-piece, strengthened chain  
Fabric and guiding element the same as for AMISTAR TRADITION