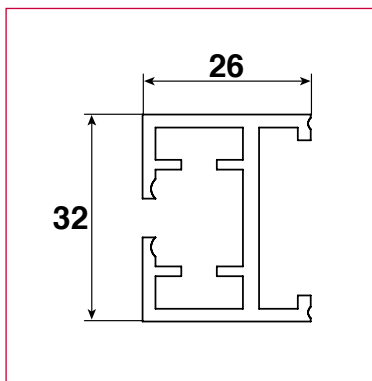


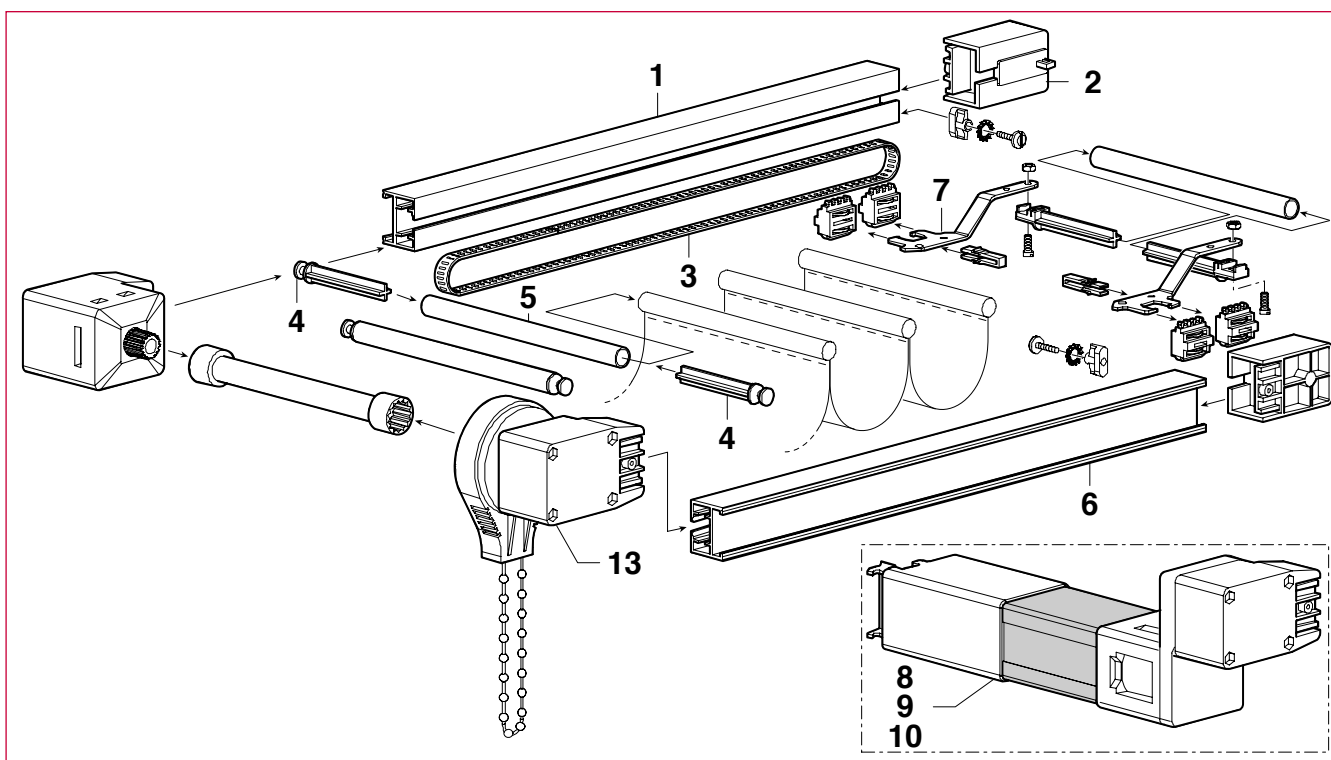
CANOPY BLINDS " WINTER GARDEN "



DESCRIPTION

White aluminium rails - section 26/32 parallel
Highly resistant toothed belt raising and lowering the blind Grouped and infrared controls

- Manual operation by beaded cord
- Electrical operation - 45 Watts 2 x 45 Watts or 60 Watts
- Telescopic end-pieces or guiding perpendicular mini-tracks
- All possibilities of bending



| Mark | Designation |
|------|-------------------------------|
| 1 | Aluminum rail section 26/32 |
| 2 | End pulley |
| 3 | Toothed belt plus connections |
| 4 | Telescopic end-piece |
| 5 | Aluminum 13 mm rod |
| 6 | Turning key |

| Mark | Designation |
|------|------------------------------------|
| 7 | Metal overlap arm |
| 8 | 45 watts simple motorization |
| 9 | 45 watts tandem motorization |
| 10 | 60 watts motorization |
| 11 | Grouped control unit |
| 12 | Remote control |
| 13 | Manual operation kit - beaded cord |