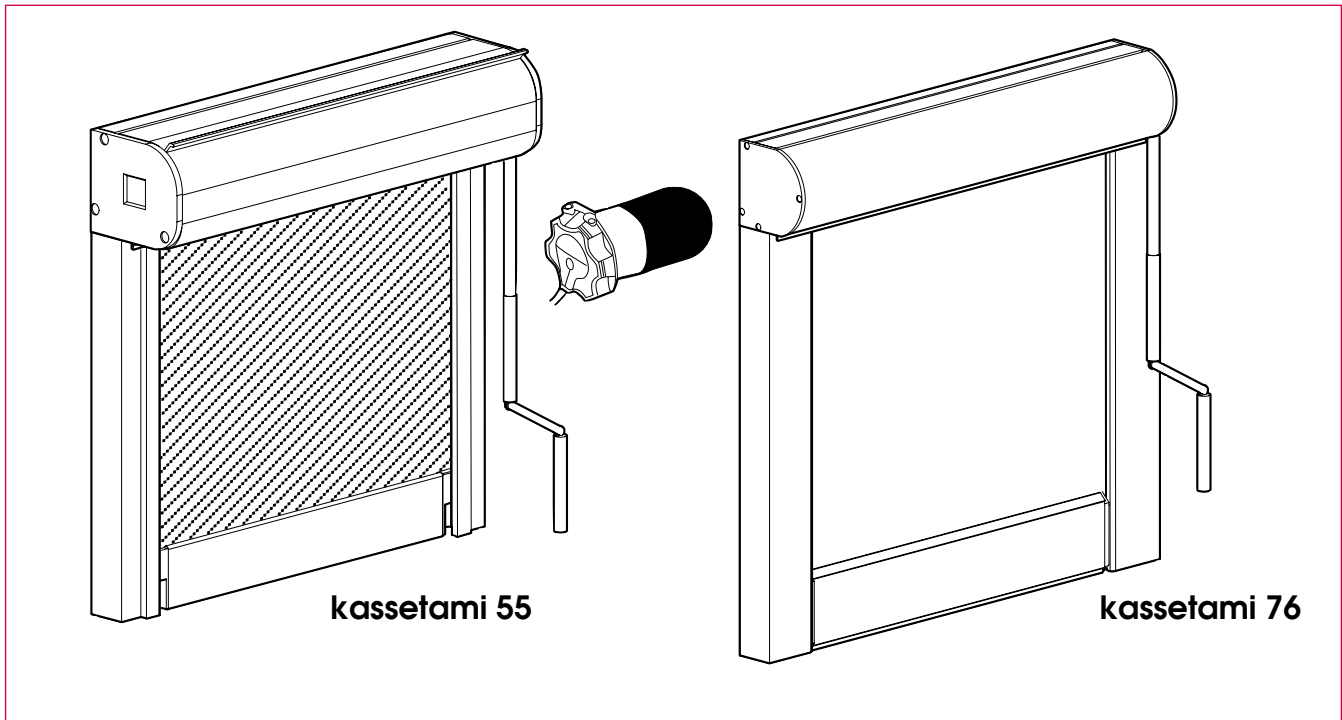


**ESTHETIC ALUMINUM HEADBOX ROLLER BLINDS -
2 DIMENSIONS / CAPACITY COLLECTION OF SHADED AND OPAQUE SCREENS**



DESCRIPTION

One-piece round headbox roller blinds in aluminum, aluminum colors - white or black

■ KASSETAMI 55 : head rails 55/55

for maximum dimensions recommended L : 180cm / H : 210cm

■ KASSETAMI 76 : head rails 76/76

for maximum dimensions recommended L : 250 cm / H : 320 cm

Roller tubes diameter 30 and 35

Guiding slides : open runners section 25/22

Flat closed slides 39/22

Black-out reinforced slides 42/12

Without slides with or without guiding cable

Load-bearing bar

Operation : - manual with crank, spring or chain possible

- electric for tubular motorization MAO - 220 volts / 65 watts for K76

- possibility of having grouped controls plus remote control

CHOICE OF TEXTILES Collection

10 E-MAILLE SCREEN

Fire safety classification M1

Composition: 36% fiberglass - 64% PVC

Weight : 350 gr/m²

Viewing comfort indexes: 10% factor

Colors : 20

G45 SCREEN

Fire safety classification M1

Composition: 42% fiberglass - 58% PVC

Weight : 460 gr/m²

Viewing comfort indexes: 13% factor

Colors : 18

550 HEAVY SCREEN

Fire safety classification M1

Composition: 42% fiberglass - 58% PVC

Weight : 525 gr/m²

Viewing comfort indexes: 6% factor

Colors: 101

VIRGINIE 112 BLACK-OUT

Fire safety classification M1

Composition: Glass fabrics

100% flocked

Weight : 500 gr/m²

Black-out: 100% opaque

Colors : 18

