

**ROLLER BLINDS / SHADING - BLACK-OUT OR DECORATIVE SELECTION
OF PERSONALIZED BRAIDS AND DESIGNS - MANUAL OR ELECTRIC**

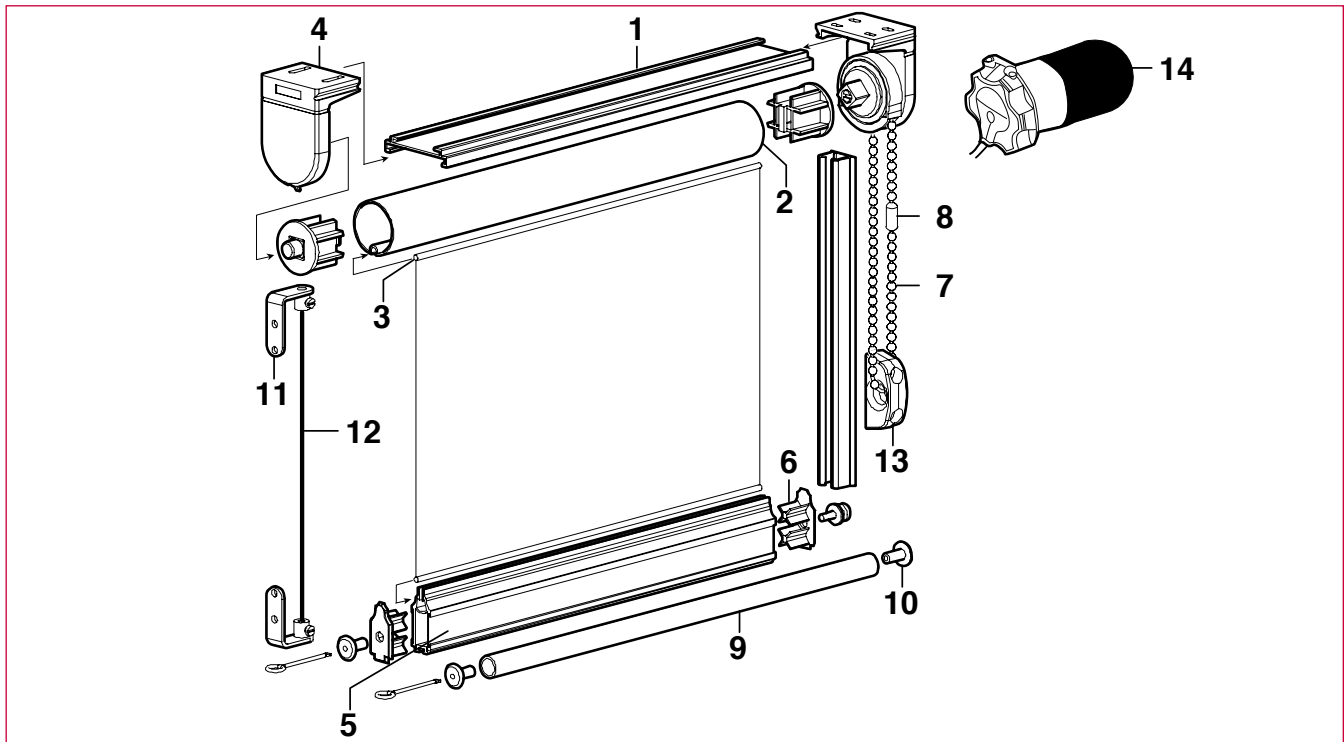


DESCRIPTION

Aluminum roller tube with groove diam. 32 mm.
Can be operated manually using a small chain and lower chain pass
Side supports on white coated aluminum mounting profile
Load-bearing bar profile in white aluminium
Fabric mounted by rods plus sleeve stitched at top and bottom
Guiding by cable or side slides
Wall and ceiling fixation

DESCRIPTION

Aluminum roller tube: TP diameter 40 mm thickness 1.5
End-piece rollers and mounting supports
Electrical operation 220 volts
Tubular motor - 70 Watts - 55 tr/mn
Load-bearing bar in white COATED aluminium section
Lateral guiding by cable or white coated side slides
Grouped control and remote control as an option



Mark	Designation
1	White coated upper profile
2	Aluminum roller tube diam. 32 mm
3	Fiberglass 3 mm rod
4	Mechanism for continuous ring-chain supports 65 and 85 mm
5	White coated shaped load-bearing section bar
6	End cap of white load bearing bar
7	White control chain

Mark	Designation
8	Chain connection
9	White load-bearing bar tube diameter 13
10	Load-bearing bar tube end stopper
11	Riveted cable clip bracket
12	Guiding cable
13	Chain pass
14	Electric motorization

Shading, black-out or decorative textiles Collection presented on request

