

AMIDRAP

FEATURES

AMIDRAP

VERTICAL WOODEN SLAT BLINDS

The EXCEPTIONAL



VERTICAL WOODEN SLAT BLINDS

150 mm TAPERED SLATS

MECHANISM

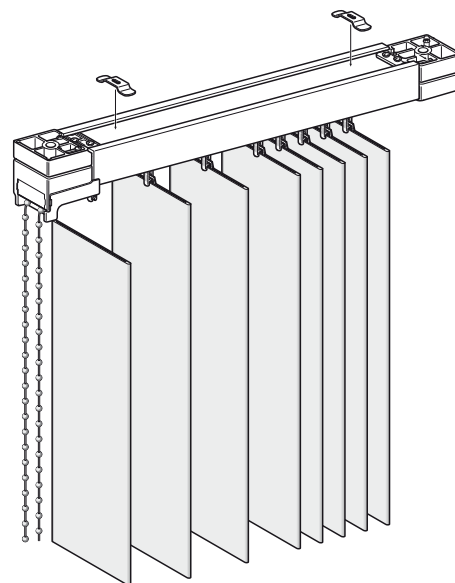
- SECTION : L.43 x H. 35 mm
Aluminium : Bronze Colour
- CONTROL
 - Manual
 - Adjustable

WOODEN SLATS

- TAPERED Finish
- 150 mm slat
- Thickness 5 mm
- Wood : Abachi
- Maximum surface : 9 M²
- Weight : 7 kg/M²
- Maximum dimension : L . 350 cm - H : 300 cm

FIRE SAFETY CLASSIFICATION

- Classification B-s2, do - **M1** Compliant



■ COLOURS / SHADES

- 30 colours of TRADITION VARIATION
All colours & shades on quotation

Scale 1

