

VERTICAL WOODEN SLAT BLINDS



### MECHANISM

- SECTION : L.43 x H. 35 mm  
Aluminium : Bronze colour
- CONTROL :
  - Manual
  - Adjustable

### WOODEN SLAT

- SLAT finish  
SLAT 89  
Flat slats :
  - Width : 89 mm
  - Thickness : 5 mm
- Wood : Abachi
- Maximum surface : 9 M<sup>2</sup>
- Weight : 7 kg/M<sup>2</sup>

### FIRE SAFETY CLASSIFICATION

- classification B-s2, do - **M1** compliant

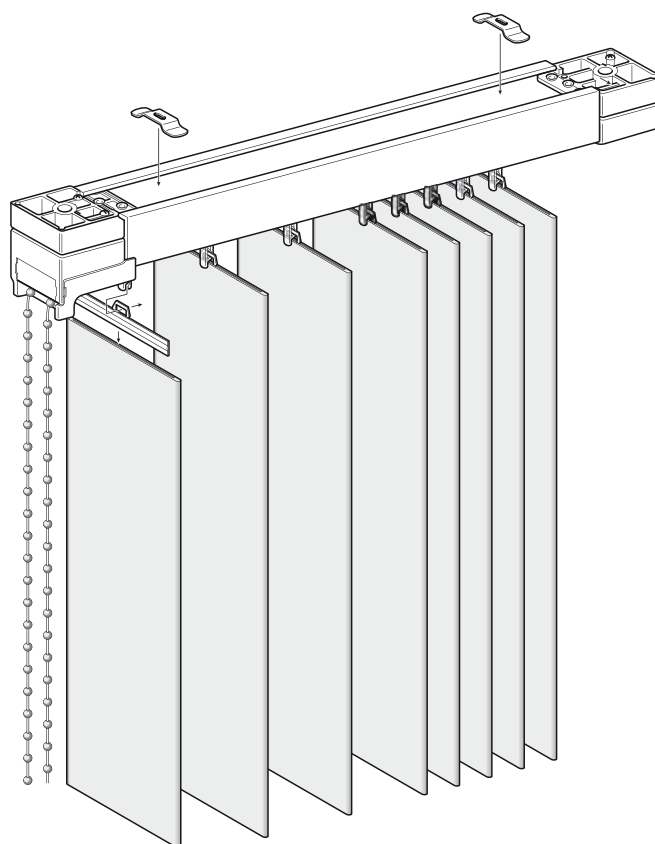
### COLOURS / SHADES

- 30 colours TRADITION THEME  
All colours and shades on quotation

### COLOURS / SHADES

WIDTH	
Minimum	400 mm
Maximum	3500 mm
HEIGHT	
Minimum	300 mm
Maximum	3500 mm

OVERALL DIMENSIONS WHEN FOLDED	
WIDTH	STORAGE
50 cm	15 cm
100 cm	23 cm
150 cm	31 cm
200 cm	38 cm
250 cm	45 cm
300 cm	54 cm



Scale 1

