

OUTDOOR WOODEN VENETIAN BLINDS

■ WOODEN SLATS

- Wood : Soria Pine
- Pressure-sealed treatment
- Weight : 5kg/ m²
- Ecological classification
- Width choice
- 50 mm : thickness 5mm
- or
- 70 mm : thickness 5mm

■ SHADES AND COLOURS

- 10 standard shades
- Other colours : on request

■ CLASSIFICATION

Fire safety classification B-s2, do - M1 compliant

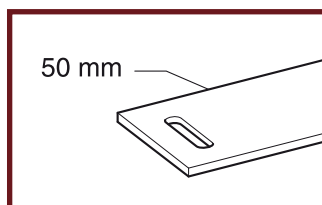
■ TECHNICAL FEATURES

- Box : dimensions : 51/57 cm
- Guidance: cable rolled upward the ladder
- Control
 - manual with a string
 - or
 - electric motor control
 - . tubular motor 100 Watts
 - . grouped motor and control
 - . automation remote control

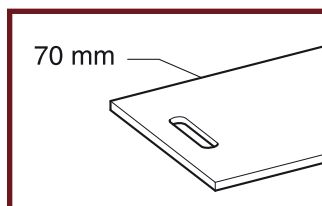
■ DIMENSIONS LIMITATIONS

- Width x max height 160 cm x 350 cm
- Recommended maximum surface : 4 M²
- Recommended maximum weight : 20 kg
- Overall dimension of folded blind :

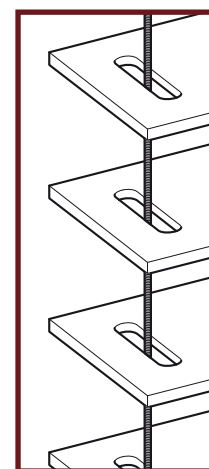
BLIND HEIGHT	SLATS 50 mm	SLATS 70 mm
100	24 cm	20,5 cm
150	32 cm	27 cm
200	40 cm	33,5 cm
250	48 cm	40 cm
300	56 cm	46,5 cm



Slat detail 50 mm

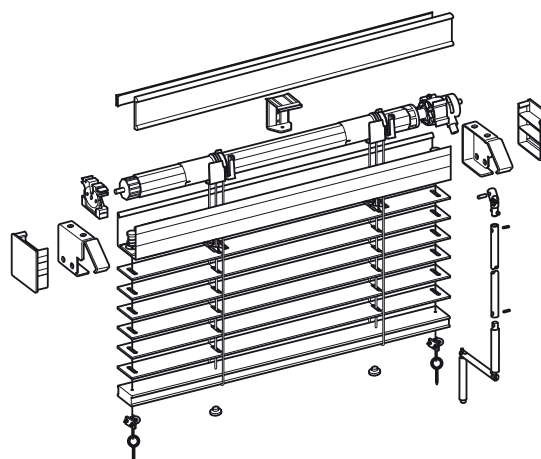


Slat detail 70 mm

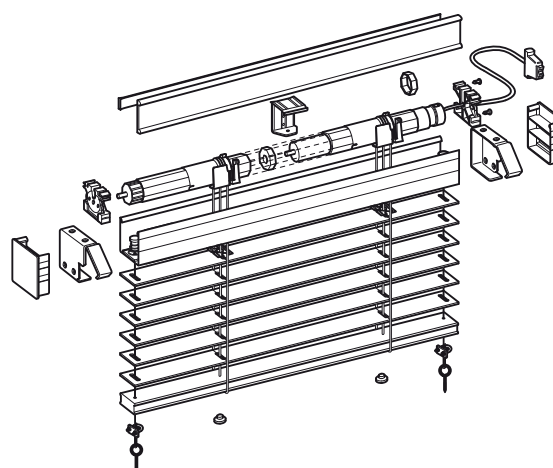


Cable detail

. CONTROL : HANDLE/CRANK



. CONTROL : ELECTRIC

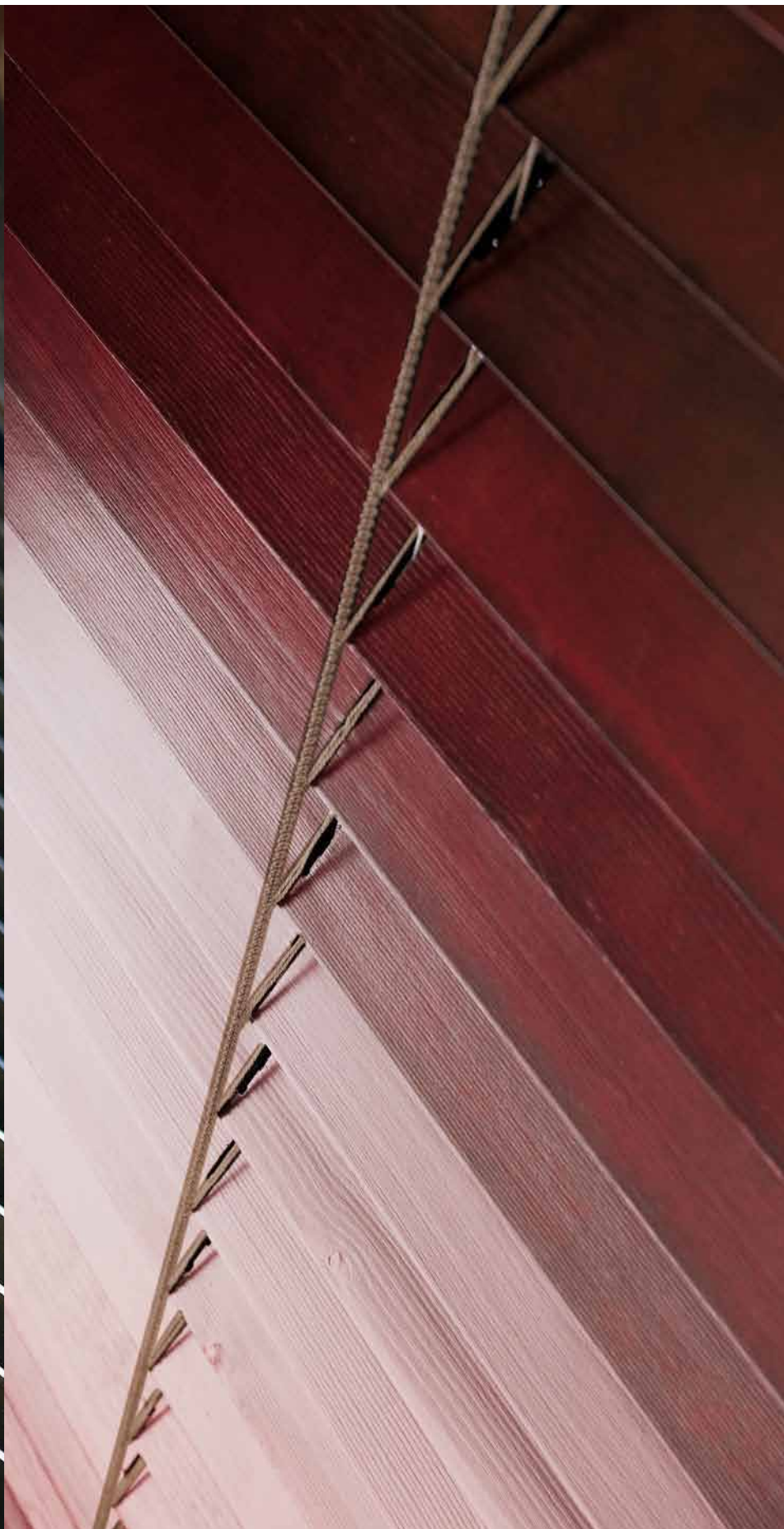


ANDALUZ

OUTDOOR WOODEN BLINDS

ANDALUZ

OUTDOOR WOODEN VENETIAN BLINDS



SHADES RANGE



DOUGLAS



PALISSANDRE

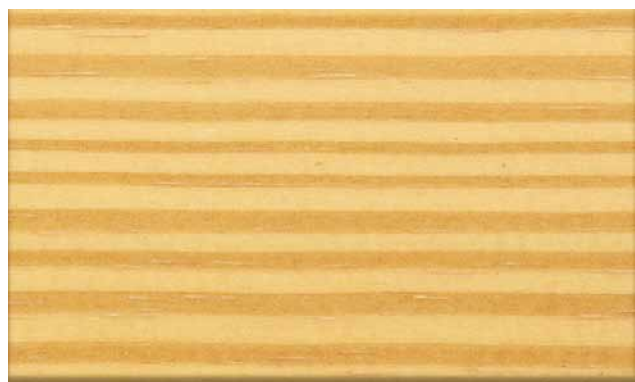


CHENE



NOIX

. CHOICE RANGE : SLAT WIDTH 50 mm or 70 mm



PIN



CHATAIGNE



BLANC



NOIR

ANDALUZ

OUTDOOR WOODEN BLINDS

ANDALUZ

OUTDOOR WOODEN VENETIAN BLINDS



ANDALUZ

OUTDOOR WOODEN BLINDS

ANDALUZ

OUTDOOR WOODEN VENETIAN BLINDS

